



GREWIN INDUSTRIAL GROUP CO.,LTD.

TEL/WhatsApp: +86 18622096679

Mail: admin@coilwindingmachinechina.com

Web:www.coilwindingmachinechina.com



WhatsApp

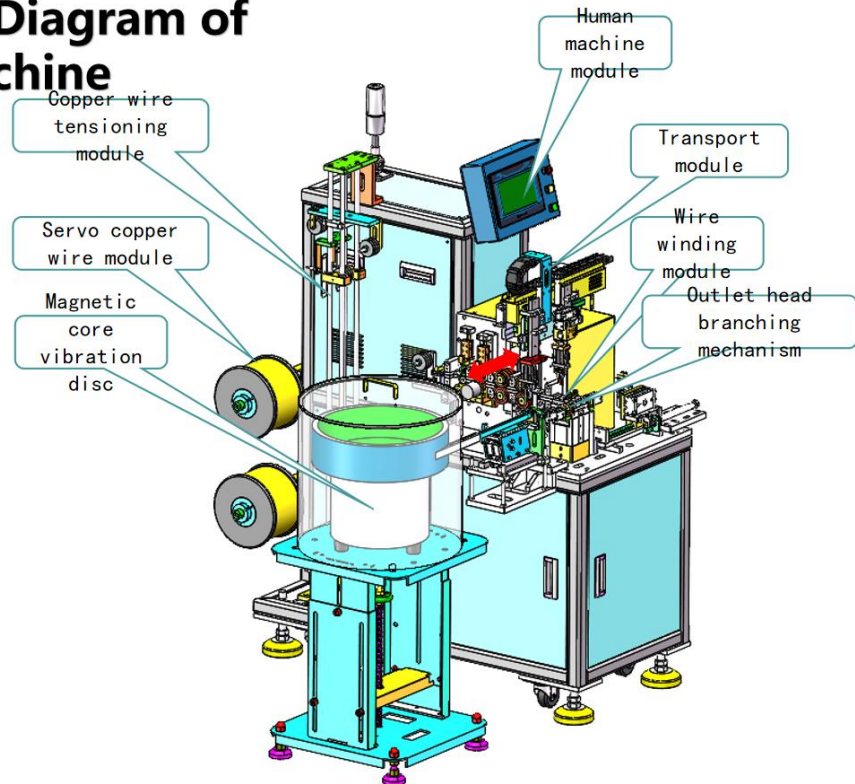


WeChat

GWD-V18

NAME: Fully Automatic Vertical Winding Machine

➤ Schematic Diagram of Winding Machine



GREWIN INDUSTRIAL GROUP CO.,LTD.

Add: The fourth floor A-A3 zone aviation business area,Dongli Distr,Tianjin,China.



GREWIN INDUSTRIAL GROUP CO.,LTD.

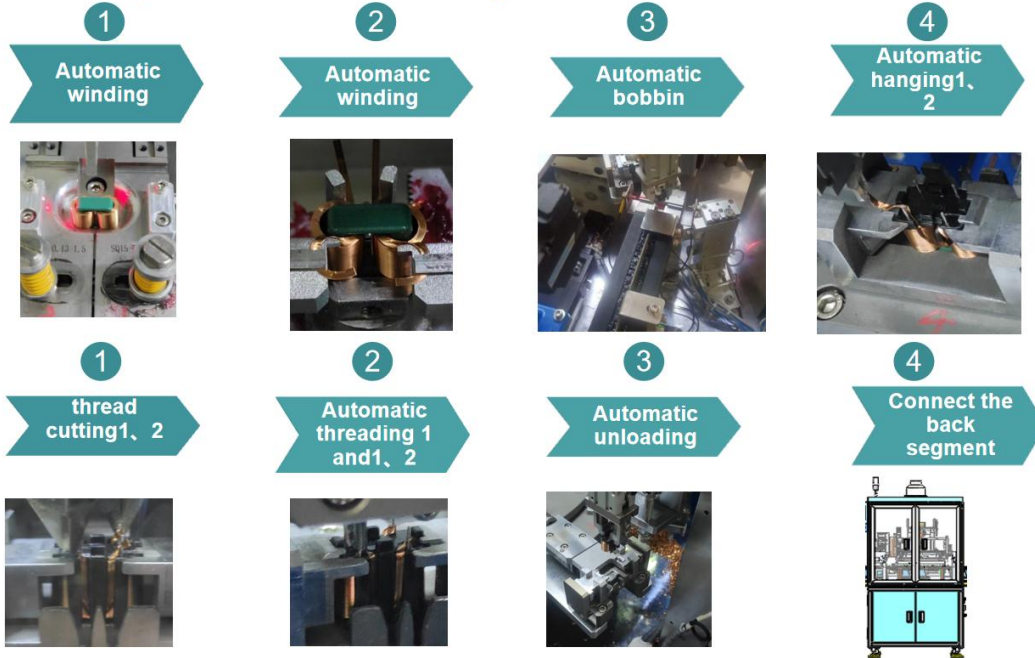
TEL/WhatsApp: +86 18622096679

Mail: admin@coilwindingmachinechina.com

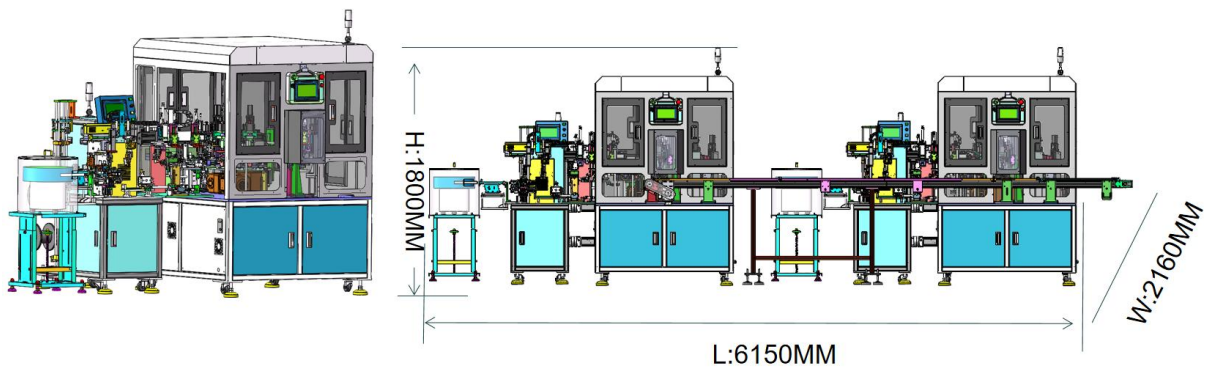
Web:www.coilwindingmachinechina.com



➤ Equipment process flow diagram



➤ Overall form factor diagram of the device



- 1.Device features: SQ Vertical winding foot winding machine.
- 2.Equipment size: as shown in the figure (actual design shall prevail).
- 3.The rear section can be connected to equipment: soldering, dispensing, baking, testing, laser marking, automatic foot straightening, and plating equipment.
- 4.Labor: Manual addition of materials (core and skeleton) to replace copperwires.



GREWIN INDUSTRIAL GROUP CO.,LTD.

Add: The fourth floor A-A3 zone aviation business area,Dongli Distr,Tianjin,China.



GREWIN INDUSTRIAL GROUP CO.,LTD.

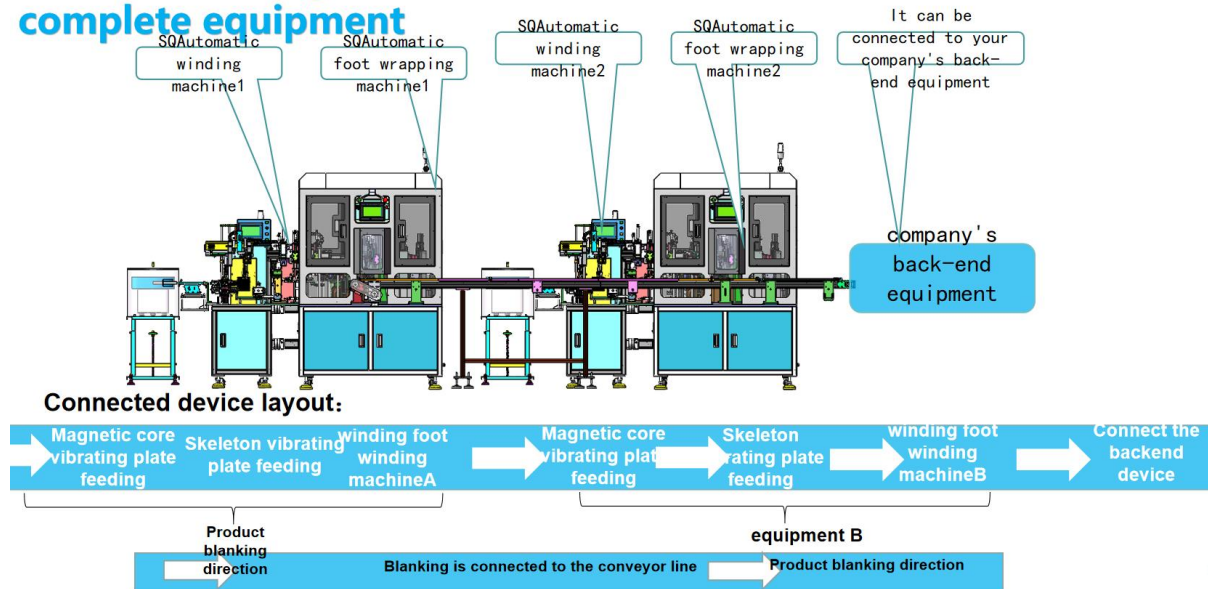
TEL/WhatsApp: +86 18622096679

Mail: admin@coilwindingmachinechina.com

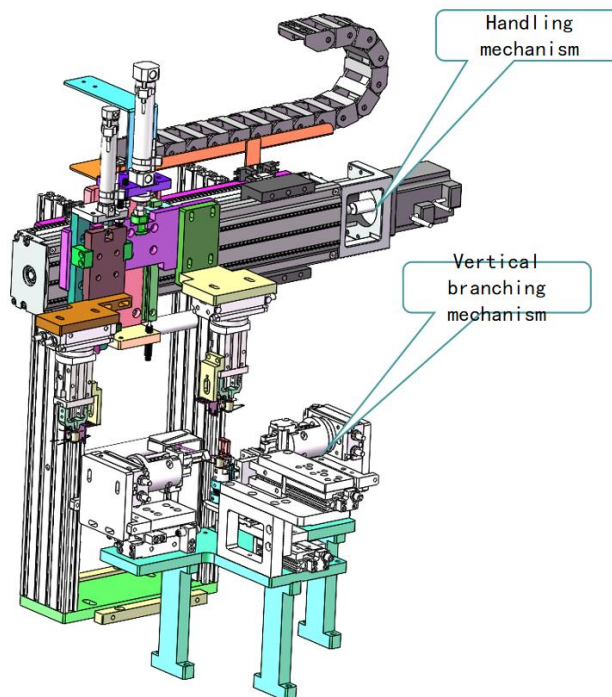
Web:www.coilwindingmachinechina.com



➤ Schematic diagram of the complete equipment



➤ Handling and distribution mechanism after winding

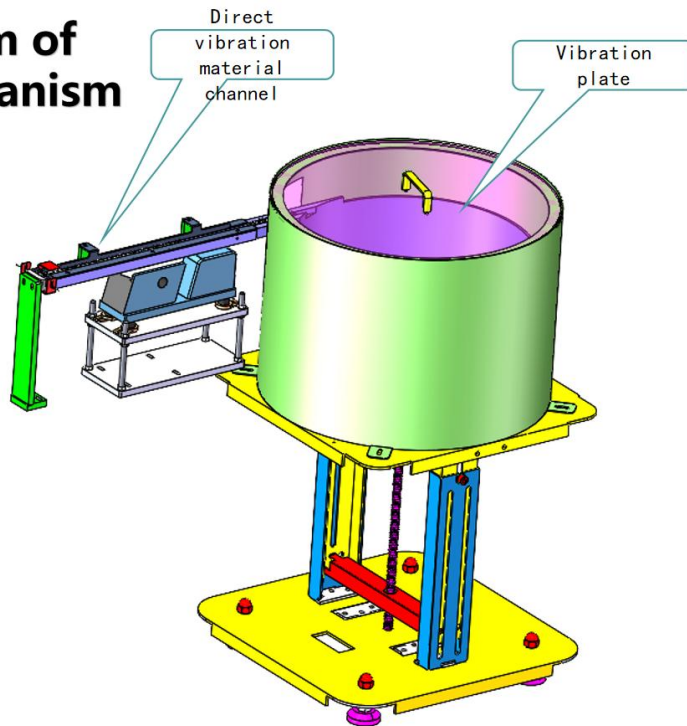


GREWIN INDUSTRIAL GROUP CO.,LTD.

Add: The fourth floor A-A3 zone aviation business area,Dongli Distr,Tianjin,China.



➤ **Schematic diagram of vibration disc mechanism**



PRODUCT EVALUATION FORM

S/N	ITEM	INSTRUCTIONS
1	Regular products	Special products require evaluation by the technical department
2	Scope of application of wire diameter	0.1-0.25 thickness, width 1.0-2.5MM
3	Scope of application of magnetic core	SQ12-SQ19
4	Capacity	SQ12-SQ19-----600pcs/H WIRE DIAMETER0.1-0.15-----600PCS/H WIRE DIAMETER0.2-0.25-----500PCS/H
5	Minimum PIN distance	Refer to Figure 1

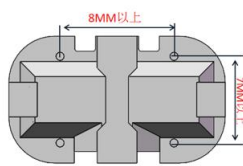


Figure 1



GREWIN INDUSTRIAL GROUP CO.,LTD.

TEL/WhatsApp: +86 18622096679

Mail: admin@coilwindingmachinechina.com

Web:www.coilwindingmachinechina.com



MAIN COMPONENT PARTS

No	Parts
1	Motor
2	Cylinder
3	Solenoid valves
4	Sensor
5	Main controller
6	Screw/guide

DEVICE PARAMETER EVALUATION FORM:

Device parameter evaluation form			
S/N	Project name	Device parameters	Remarks
1	Equipment Name	SQ(Vertical) winding foot winding machine	
2	Equipment Kind	Fully automatic machine	
3	Production efficiency	≥1200 (PCS)	Dual machine connection
4	Output	98%	No material factor
5	Device voltage	220v/50-60HZ	
6	Device power	5 KW	
7	Air pressure	0.5~0.8Mpa	

Note: 1. The above parameters are evaluated under ideal conditions, such as poor incoming materials, improper operation, and other factors have an impact.
2. The customer provides 4000 sets of test machine materials (including winding and foot wrapping machines).

GREWIN INDUSTRIAL GROUP CO.,LTD.

Add: The fourth floor A-A3 zone aviation business area,Dongli Distr,Tianjin,China.



GREWIN INDUSTRIAL GROUP CO.,LTD.

TEL/WhatsApp: +86 18622096679

Mail: admin@coilwindingmachinechina.com

Web:www.coilwindingmachinechina.com



WhatsApp



WeChat

FACTORY:

GREWIN INDUSTRIAL GROUP is expert in winding machines lines for 28 Years. Our Grewin have ISO9001:2015,CE approvals,Machines'Patents,"high-tech enterprises"by the government.



GREWIN INDUSTRIAL GROUP CO.,LTD.

Add: The fourth floor A-A3 zone aviation business area,Dongli Distr,Tianjin,China.